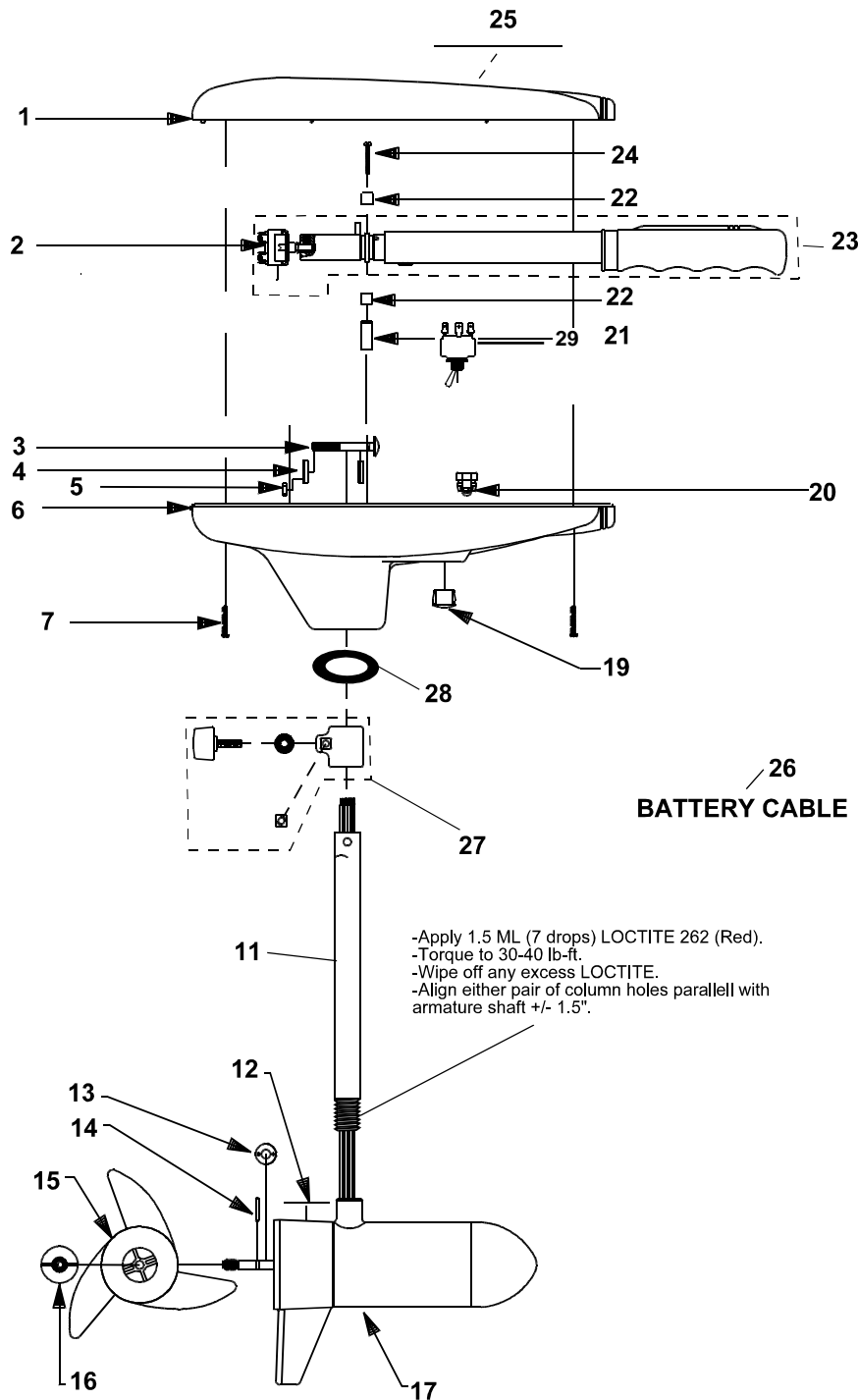


MotorGuide® REPAIR PARTS

Model:
567



SPECIFICATIONS:

Year of Intro	1999
Thrust	67LBS
Volts	12/24VDC
Amp Draw	0 to 34 amps
Mount	20 Bow
Speeds	10 Fwd/Rev

QUICK REFERENCE PARTS GUIDE:

Handle Asy	BT372-08
Motor Seal Kit	6220
Rotary Switch	KT150-02

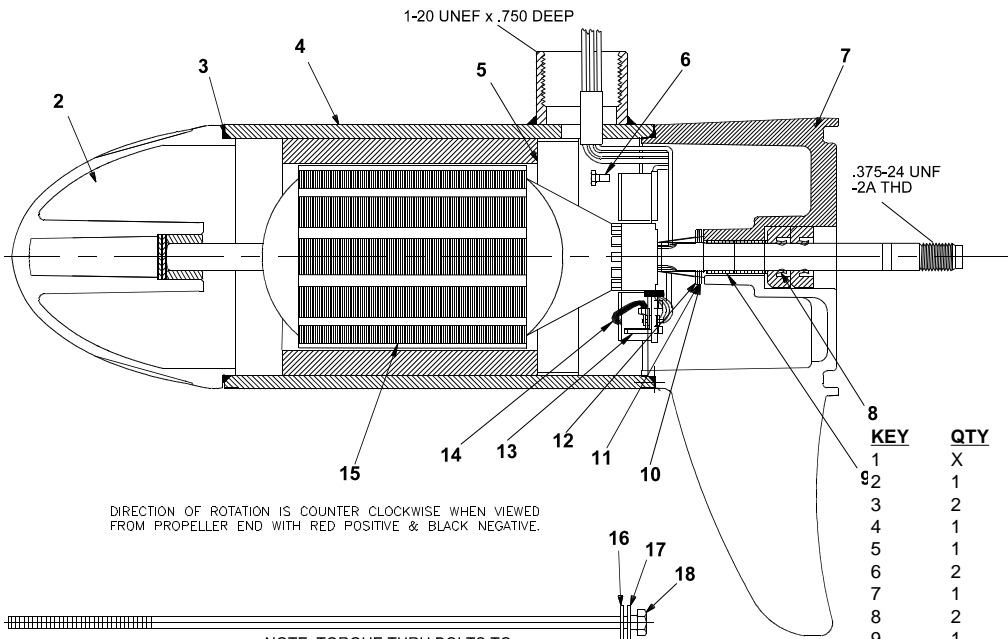
PARTS ORDERING & TECH ASSISTANCE

MotorGuide Consumer Relations
Phone 918-831-6989
Fax 800-982-8093

Returned Goods must be accompanied with a Returned Goods Authorization. Contact MotorGuide Consumer Relations to obtain RGA.

KEY	DESCRIPTION	PART #	KEY	DESCRIPTION	PART #
1	COVER WHITE	AT053-17	14	PROP DRIVE PIN	BR102-01
	COVER BLACK	AT053-18	15	PROP/2 BLADE	AF124-07
2	ROTARY SWITCH	KT150-02	16	PROP NUT	AR099-01
3	BOLT	TT134-01	17	5 SP MOTOR	VF397-01
4	CURVED WASHER	TT171-04	18	DEPTH ADJUSTMENT COLLAR	AR051-01
5	NYLON LOCK NUT	XT098-02	19	1/2" HOLE PLUG	FP021-03
6	T/H BASE WHITE	AR004-13	20	GROMMET	GR019-03
	T/H BASE BLACK	AR004-14	21	WIRE BRACKET	AT155-04
7	SCREW #8 X 1"	LF141-04	22	RETAINER CLAMP	AR036-01
8	BAR KNOB	AR082-02	23	5 SPEED HANDLE ASY 96-97	BT372-08
9	CLAMP WASHER	AR171-01	24	8 X 1-3/8 SCREW	AR133-01
10	SUPPORT NUT	FR098-01	25	NOMENCLATURE	AT056-17
11	42" SS H/O COLUMN	FR049-12	26	BATTERY CABLE	AT328-02
	50" SS H/O COLUMN	FR049-13	27	DEPTH COLLAR ASY	AR158-01
12	MARINE LOWER UNIT DECAL	AF060-07	28	COLUMN SEAL	AT079-01
13	MONOFILAMENT WASHER	AR175-01	29	TOGGLE SWITCH	FP153-04

Model:
567



NOTE: TORQUE THRU BOLTS TO 40 TO 50 INCH LBS.

KEY	QTY	DESCRIPTION	PART NO.
1	X	MOTOR	VF397-01
2	1	NOSE CAP	XF3212-01
3	2	O RING SEAL	MR217-01
4	1	HOUSING ASY	UF3210-01
5	1	RETAINER	JF233-01
6	2	BRUSH CARD SCREW	MR228-01
7	1	COMM CAP	VF3205-01
8	2	SHAFT SEAL	MR223-01
9	1	BEARING	MR206-01
10	1	NYLATRON WASHER	MR226-01
11	1	WASHER	MR227-01
12	1	E RING	MR219-02
13	2	BRUSH SPRINGS	MR214-02
14	1	BRUSH ASY LESS SPRING	VF3201-01
15	1	ARMATURE	UF3207-01
16	4	STATIC SEAL	MR222-01
17	4	THRU BOLT WASHER	MR216-01
18	2	THRU BOLT	MR218-02

WIRING

